

Alloy Steel Shear Beam Load Cell



FEATURES

- Capacity range: 5,000 - 10,000lbs
- Steel and stainless steel construction
- NTEP approved
- IP67 protection

OPTIONAL FEATURE

- FM approval available

APPLICATIONS

- Low profile platforms
- Pallet truck weighing
- Tank and silo weighing

DESCRIPTION

Model 3420 is a low profile shear beam load cell designed for high accuracy platform scales, pallet scales and process weighing applications.

It has a high immunity to shock or side loading, and is approved to NTEP standards. For hazardous environments this load cell is available with Factory Mutual approval.

Nickel plating and full environmental sealing assure long term reliability. A stainless steel option is available for use in harsh or corrosive environments.

The two additional sense wires feed back the voltage reaching the load cell. Complete compensation of changes in lead resistance due to temperature change and/or cable extension can be achieved by feeding this voltage into the appropriate electronics.

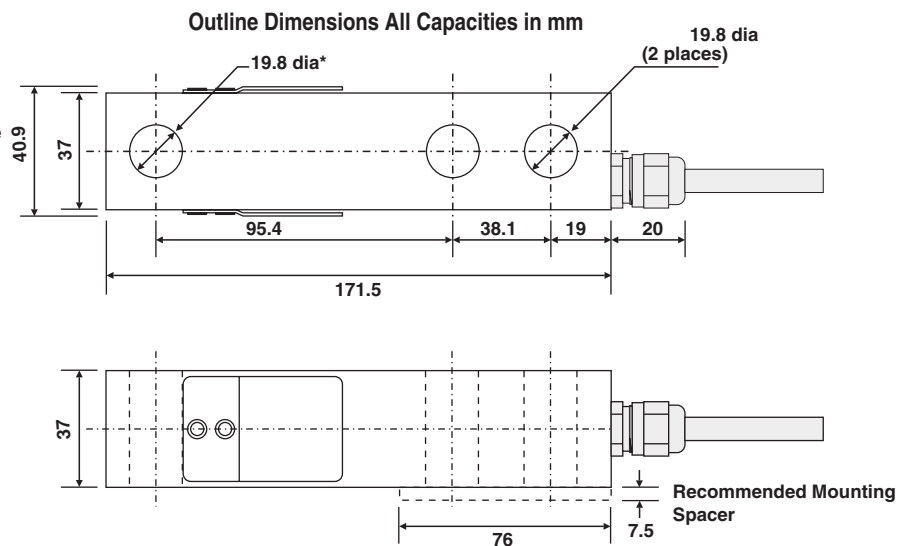
OUTLINE DIMENSIONS in millimeters

*Threaded options are available
For full details of all options
contact Tedea-Huntleigh.

3420 plain, M20 or ¾ - 16 UNF

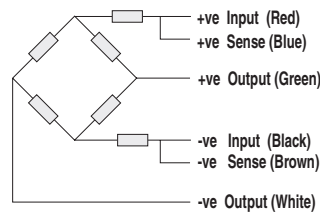
threaded mounting hole

3421 - ¾ - 16 UNF



SPECIFICATIONS			
PARAMETER	VALUE		UNIT
Rated capacity-R.C. (E_{max})	5000, 7500, 10000		lbs
NTEP/OIML Accuracy class	NTEP	Non-Approved	
Maximum no. of intervals (n)	3000 single 5000 multiple	3000	
$Y = E_{max}/V_{min}$	6666	10000	
Rated output-R.O.	3.0		mV/V
Rated output tolerance	0.1		±% of rated output
Zero balance	2		±% of rated output
Zero Return, 30 min.	0.0250	0.0170	±% of applied load
Total error (per OIML R60)	0.0200	0.0200	±% of rated output
Temperature effect on zero	0.0023	0.0023	±% of rated output/°C
Temperature effect on output	0.0010	0.0010	±% of applied load/°C
Temperature range, compensated	-10 to +40		°C
Temperature range, safe	-20 to +70		°C
Maximum safe central overload	150		% of R.C.
Ultimate central overload	300		% of R.C.
Excitation, recommended	10		Vdc or Vac rms
Excitation, maximum	15		Vdc or Vac rms
Input impedance	385±10		Ohms
Output impedance	351±5		Ohms
Insulation resistance	>2000		Mega-Ohms
Cable length	3.0 mt. - 3420, 20 ft. - 3421		
Cable type	6 wire, braided, Polyurethane, floating screen		Standard
Construction	Nickel plated alloy steel		
Environmental protection	IP67		
Recommended torque	205		N*m

Wiring Schematic Diagram
(Balanced temperature compensation)



Disclaimer

All product specifications and data are subject to change without notice.

Vishay Precision Group, Inc., its affiliates, agents, and employees, and all persons acting on its or their behalf (collectively, "Vishay Precision Group"), disclaim any and all liability for any errors, inaccuracies or incompleteness contained herein or in any other disclosure relating to any product.

Vishay Precision Group disclaims any and all liability arising out of the use or application of any product described herein or of any information provided herein to the maximum extent permitted by law. The product specifications do not expand or otherwise modify Vishay Precision Group's terms and conditions of purchase, including but not limited to the warranty expressed therein, which apply to these products.

No license, express or implied, by estoppel or otherwise, to any intellectual property rights is granted by this document or by any conduct of Vishay Precision Group.

The products shown herein are not designed for use in medical, life-saving, or life-sustaining applications unless otherwise expressly indicated. Customers using or selling Vishay Precision Group products not expressly indicated for use in such applications do so entirely at their own risk and agree to fully indemnify Vishay Precision Group for any damages arising or resulting from such use or sale. Please contact authorized Vishay Precision Group personnel to obtain written terms and conditions regarding products designed for such applications.

Product names and markings noted herein may be trademarks of their respective owners.